



PhotonStar™

EcoStar 600+ / 600D+ / 600T+ Installation Instructions



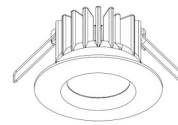
IMPORTANT PLEASE READ BEFORE INSTALLATION

- Before commencing installation ensure the electricity is fully isolated.
- Installation should be carried out in accordance with the latest edition of the I.E.E. Wiring regulations (BS7671) taking into account the latest building regulations.
- Installation should be carried out by a qualified electrician.
- Live and Neutral can be connected to driver in either polarity.

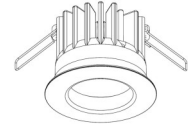
WARNINGS

- Use only with the driver supplied
- This luminaire is for indoor use only
- **IMPORTANT** The driver must not be covered by ceiling insulation material; this will reduce the units operational lifetime, invalidate the guarantee and may cause a risk of fire. The driver can be installed up to 20m from the fitting. Free airspace diagram to be observed

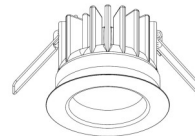
This install manual covers the following products:



ECO600+ UNI/AD/DL

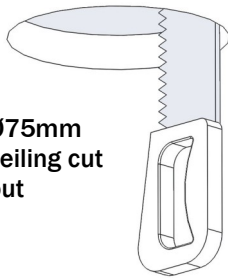


ECO600D+ UNI/AD/DL



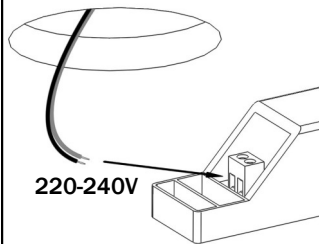
ECO600T+ UNI/AD/DL

1.



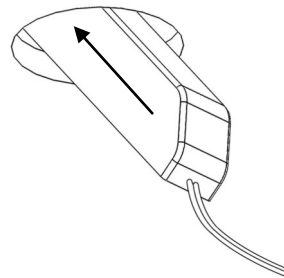
Ø75mm
ceiling cut
out

2.



220-240V

3.



4.

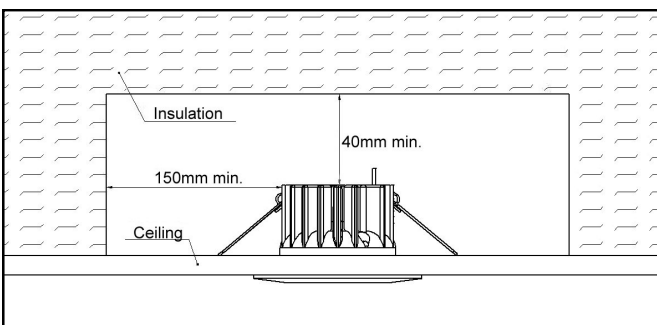
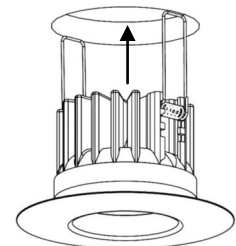
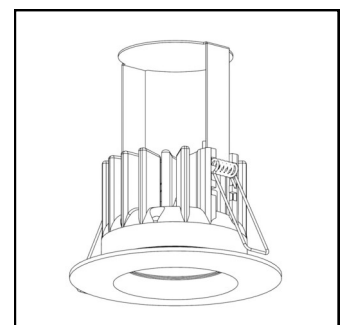
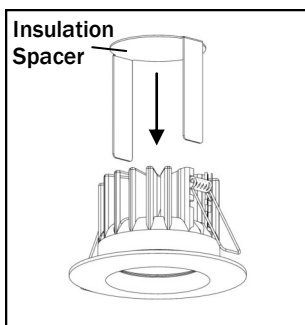
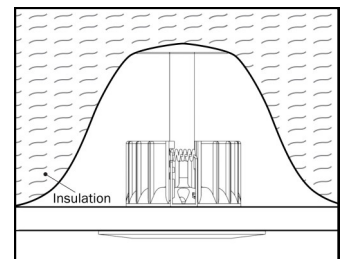


Diagram showing
required airspace



Fitting for Optional
Insulation
Spacer



Photonstar LED Group plc
Unit 8, Westlink,
Belbins Business Park
Romsey
Hampshire
SO51 7JF

Tel: 0845 519 7717
Email: ecostar@photonstarled.co.uk
Web: www.ecostar.photonstarlighting.co.uk

