

PLEASE READ THESE INSTRUCTIONS CAREFULLY BEFORE INSTALLATION
PLEASE RETAIN INSTRUCTIONS FOR FUTURE REFERENCE



Ecostar 1000LG Installation Instructions



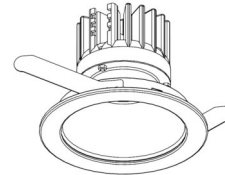
IMPORTANT PLEASE READ BEFORE INSTALLATION

- Before commencing installation ensure the electricity is fully isolated.
- Installation should be carried out in accordance with the latest edition of the I.E.E. Wiring regulations (BS7671) taking into account the latest building regulations.
- Installation should be carried out by a qualified electrician.
- Live and Neutral can be connected to driver in either polarity.

WARNINGS

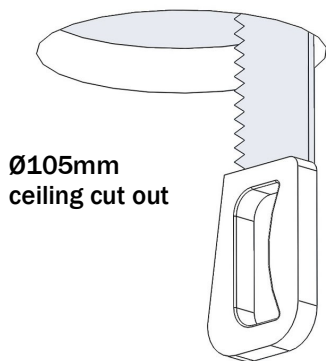
- Use only with the driver supplied
- This luminaire is for indoor use only
- **IMPORTANT** The driver must not be covered by ceiling insulation material; this will reduce the units operational lifetime, invalidate the guarantee and may cause a risk of fire. The driver can be installed up to 20m from the fitting. Free airspace diagram to be observed

This install manual covers the following products:



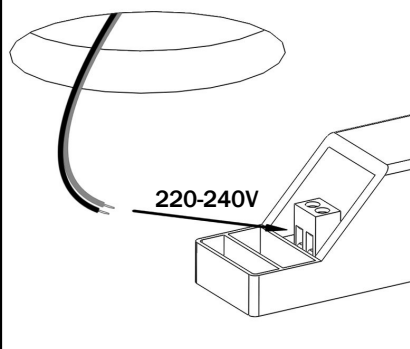
Eco1000LG
Eco1000G-E
Eco1000LG-AD
Eco1000LG-ADE

1.



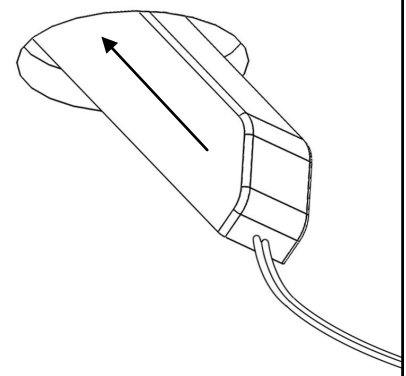
Ø105mm
ceiling cut out

2.



220-240V

3.



4.

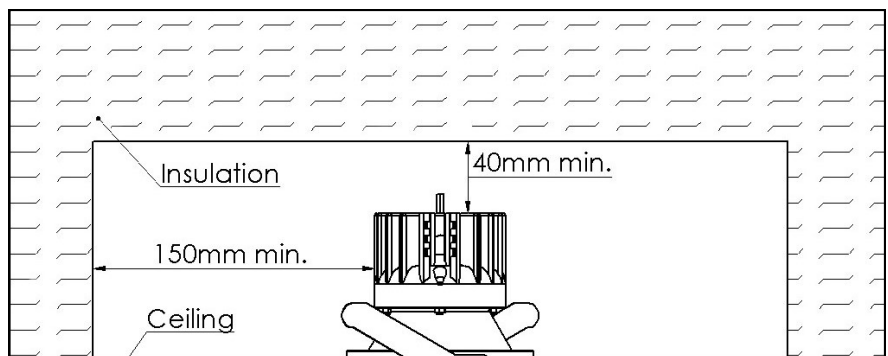
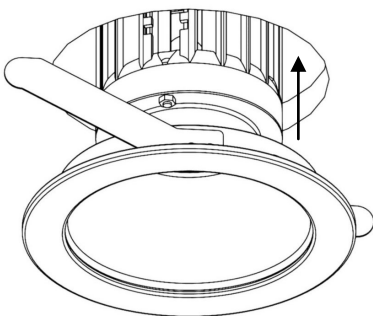


Diagram showing
required airspace

Photonstar LED Group plc
Unit 8, Westlink,
Belbins Business Park
Romsey
Hampshire
SO51 7JF

Tel: 0845 519 7717
Email: ecostar@photonstarled.co.uk
Web: www.ecostar.photonstarlighting.co.uk



P1 of 1
Revision:1 13/05/13