



by
PhotonStarTM

Award Winning British LED Lighting

t: +44 (0) 845 519 7717 www.ecostarled.co.uk



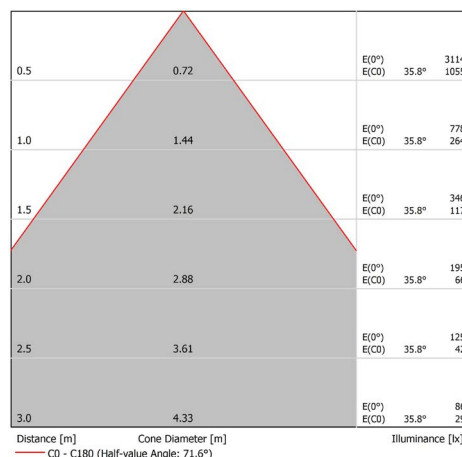
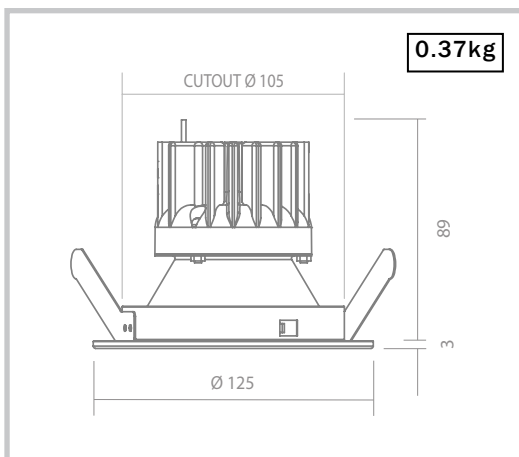
V2016.07.27

EcoStar 1000

Ultra efficient low glare downlight for 50W LV / 18W CFL replacement



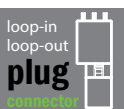
Colour temperature/rendering	Cool White 4000K/Ra80+
Illuminance comparable to	50W LV halogen/18W TC-D
Light engine power	8.4W
LED lumens (L ₁₀₀)	1063 lm
Delivered lumens (L ₁₀₀)	808 lm
System power (including driver)	10W
Efficacy (lumens/circuit Watt)	82 lm/cW
Approximate lifetime (L ₇₀ F ₁₀)	40,000 hrs
Dimming option	Yes (1-10V) (DALI)
Emergency option	Yes



Part
L
1&2
compliant

5
year
warranty

*
ECA
compliant



NB: EM denotes 3 Hour Emergency Pack with BLF of 10%

NB: All figures +/- 10%.

*Subject to choice of driver and dimming options – see individual data sheets. You should seek qualified accounting advice prior to assuming that a project or product is eligible.

EcoStar 1000 order codes

Non-Dimmable

ECO1000LG	ECO1000LG 4000K low glare 10W 50° matt white non-dim driver
ECO1000LG-E	ECO1000LG 4000K low glare 10W 50° matt white non-dim EM

1-10V Dimmable

ECO1000LG-AD	ECO1000LG 4000K low glare 10W 50° matt white 1-10V dimmable driver
ECO1000LG-AD-E	ECO1000LG 4000K low glare 10W 50° matt white 1-10V dimmable EM

DALI Dimmable

ECO1000LG-DL	ECO1000LG 4000K low glare 10W 50° matt white DALI dimmable driver
ECO1000LG-DL-E	ECO1000LG 4000K low glare 10W 50° matt white DALI dimmable EM

Accessories

ECO1000-HA1-MW	EcoStar 1000 Hole Adapter for 115mm-170mm holes
----------------	---



tel: 0845 519 7717

fax: 02381 230 382

web: www.ecostarled.co.uk

email: ecostar@photonstarlighting.co.uk

find your stockist online: www.findlights.co.uk

find your approved installer: www.installecostar.co.uk