



by
PhotonStarTM

Award Winning British LED Lighting

t: +44 (0) 845 519 7717 www.ecostarled.co.uk



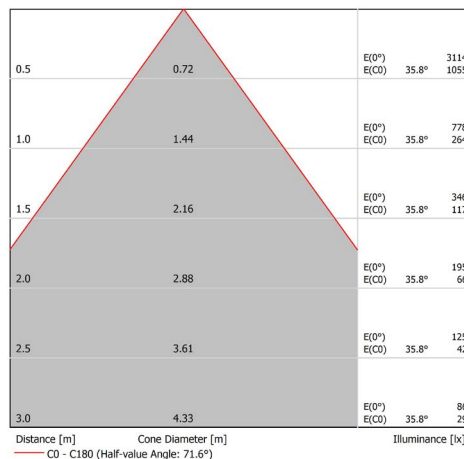
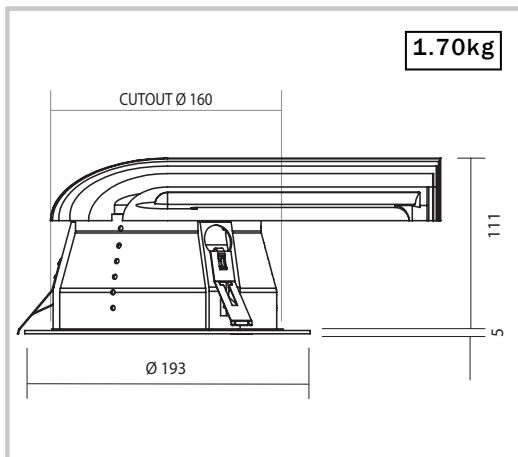
V2016.07.27

EcoStar 1500LG

Ultra efficient low glare downlight for 2x18W TC-D replacement



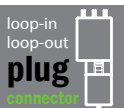
Colour temperature/rendering	Cool White 4000K/Ra80+
Illuminance comparable to	2x18W TC-D CFL
Light engine power	13W
LED lumens (L ₁₀₀)	1585 lm
Delivered lumens (L ₁₀₀)	1250 lm
System power (including driver)	15.5W
Efficacy (lumens/circuit Watt)	81 lm/cW
Approximate lifetime (L ₇₀ F ₁₀)	40,000 hrs
Dimming option	Yes (1-10V) (DALI)
Emergency option	Yes



Part
L1&2
compliant

5
year
warranty

*
ECA
compliant



NB: EM denotes 3 Hour Emergency Pack with BLF of 5.8%

NB: All figures +/- 10%.

*Subject to choice of driver and dimming options – see individual data sheets. You should seek qualified accounting advice prior to assuming that a project or product is eligible.

EcoStar 1500LG order codes

Low Glare

ECO1500LG	ECO1500LG 4000K low glare 15W 65° matt white non-dim driver
ECO1500LG-E	ECO1500LG 4000K low glare 15W 65° matt white non-dim EM
ECO1500LG-AD	ECO1500LG 4000K low glare 15W 65° matt white 1-10V dimmable driver
ECO1500LG-ADE	ECO1500LG 4000K low glare 15W 65° matt white 1-10V dimmable EM
ECO1500LG-DL	ECO1500LG 4000K low glare 15W 65° matt white DALI dimmable driver
ECO1500LG-DLE	ECO1500LG 4000K low glare 15W 65° matt white DALI dimmable EM

Drop Ring

ECO1500DRD	ECO1500DRD 4000K drop ring 15W 65° matt white non-dim driver
ECO1500DRD-E	ECO1500DRD 4000K drop ring 15W 65° matt white non-dim EM
ECO1500DRD-AD	ECO1500DRD 4000K drop ring 15W 65° matt white 1-10V dimmable driver
ECO1500DRD-ADE	ECO1500DRD 4000K drop ring 15W 65° matt white 1-10V dimmable EM
ECO1500DRD-DL	ECO1500DRD 4000K drop ring 15W 65° matt white DALI dimmable driver
ECO1500DRD-DLE	ECO1500DRD 4000K drop ring 15W 65° matt white DALI dimmable EM

IP44

ECO1500-IP44	ECO1500-IP44 4000K IP44 15W 65° matt white non-dim driver
ECO1500-IP44-E	ECO1500-IP44 4000K IP44 15W 65° matt white non-dim EM
ECO1500-IP44-AD	ECO1500-IP44 4000K IP44 15W 65° matt white 1-10V dimmable driver
ECO1500-IP44-ADE	ECO1500-IP44 4000K IP44 15W 65° matt white 1-10V dimmable EM
ECO1500-IP44-DL	ECO1500-IP44 4000K IP44 15W 65° matt white DALI dimmable driver
ECO1500-IP44-DLE	ECO1500-IP44 4000K IP44 15W 65° matt white DALI dimmable EM

Accessories

ECO15-22-HA1-MW	EcoStar 1500/2200 Hole Adapter for 170mm-180mm holes
ECO15-22-HA2-MW	EcoStar 1500/2200 Hole Adapter for 180mm-210mm holes



tel: 0845 519 7717
fax: 02381 230 382
web: www.ecostarled.co.uk
email: ecostar@photonstarlighting.co.uk

find your stockist online: www.findlights.co.uk
find your approved installer: www.installecostar.co.uk