



by
PhotonStarTM

Award Winning British LED Lighting

t: +44 (0) 845 519 7717 www.ecostarled.co.uk



V2016.07.27

EcoStar 2200LG

Ultra efficient low glare downlight for 2x26W TC-D replacement



Colour temperature/rendering

Cool White
4000K/Ra80+

Illuminance comparable to

2x26W TC-D CFL

Light engine power

19.3W

LED lumens (L₁₀₀)

2338 lm

Delivered lumens (L₁₀₀)

1817 lm

System power (including driver)

22W

Efficacy (lumens/circuit Watt)

81 lm/cW

Approximate lifetime (L₇₀F₁₀)

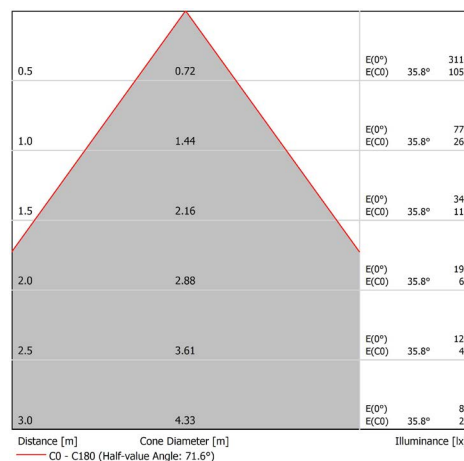
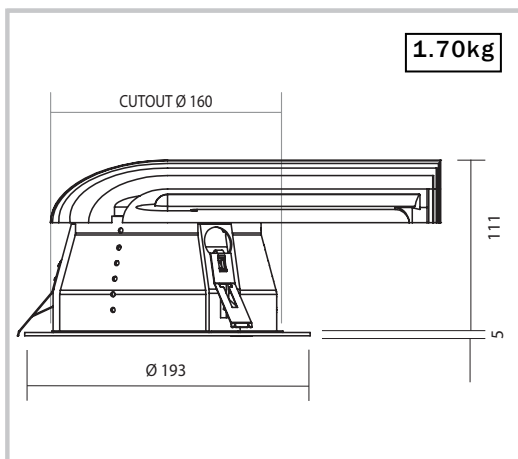
40,000 hrs

Dimming option

Yes (1-10V) (DALI)

Emergency option

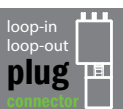
Yes



Part
L
1&2
compliant

5
year
warranty

*
ECA
compliant



NB: EM denotes 3 Hour Emergency Pack with BLF of 3.9%

NB: All figures +/- 10%.

*Subject to choice of driver and dimming options – see individual data sheets. You should seek qualified accounting advice prior to assuming that a project or product is eligible.

EcoStar 2200LG order codes

Low Glare

ECO2200LG	ECO2200LG 4000K low glare 22.5W 65° matt white non-dim driver
ECO2200LG-E	ECO2200LG 4000K low glare 22.5W 65° matt white non-dim EM
ECO2200LG-AD	ECO2200LG 4000K low glare 22.5W 65° matt white 1-10V dimmable driver
ECO2200LG-ADE	ECO2200LG 4000K low glare 22.5W 65° matt white 1-10V dimmable EM
ECO2200LG-DL	ECO2200LG 4000K low glare 22.5W 65° matt white DALI dimmable driver
ECO2200LG-DLE	ECO2200LG 4000K low glare 22.5W 65° matt white DALI dimmable EM

Drop Ring

ECO2200DRD	ECO2200DRD 4000K drop ring 22.5W 65° matt white non-dim driver
ECO2200DRD-E	ECO2200DRD 4000K drop ring 22.5W 65° matt white non-dim EM
ECO2200DRD-AD	ECO2200DRD 4000K drop ring 22.5W 65° matt white 1-10V dimmable driver
ECO2200DRD-ADE	ECO2200DRD 4000K drop ring 22.5W 65° matt white 1-10V dimmable EM
ECO2200DRD-DL	ECO2200DRD 4000K drop ring 22.5W 65° matt white DALI dimmable driver
ECO2200DRD-DLE	ECO2200DRD 4000K drop ring 22.5W 65° matt white DALI dimmable EM

IP44

ECO2200-IP44	ECO2200-IP44 4000K IP44 22.5W 65° matt white non-dim driver
ECO2200-IP44-E	ECO2200-IP44 4000K IP44 22.5W 65° matt white non-dim EM
ECO2200-IP44-AD	ECO2200-IP44 4000K IP44 22.5W 65° matt white 1-10V dimmable driver
ECO2200-IP44-ADE	ECO2200-IP44 4000K IP44 22.5W 65° matt white 1-10V dimmable EM
ECO2200-IP44-DL	ECO2200-IP44 4000K IP44 22.5W 65° matt white DALI dimmable driver
ECO2200-IP44-DLE	ECO2200-IP44 4000K IP44 22.5W 65° matt white DALI dimmable EM

Accessories

ECO15-22-HA1-MW	EcoStar 1500/2200 Hole Adapter for 170mm-180mm holes
ECO15-22-HA2-MW	EcoStar 1500/2200 Hole Adapter for 180mm-210mm holes



tel: 0845 519 7717

fax: 02381 230 382

web: www.ecostarled.co.uk

email: ecostar@photonstarlighting.co.uk

find your stockist online: www.findlights.co.uk
find your approved installer: www.installecostar.co.uk