



# PhotonStar™ EcoStar 600 Adjustable Installation Instructions



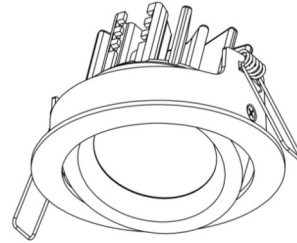
## IMPORTANT PLEASE READ BEFORE INSTALLATION

- Before commencing installation ensure the relevant mains supply has been safely isolated.
- Installation should be carried out in accordance with the latest relevant wiring regulations for the specific country/region.
- Installation should be carried out by a qualified electrician.
- Ensure all electrical connections are tight with no loose strands, including factory made connections.

## WARNINGS

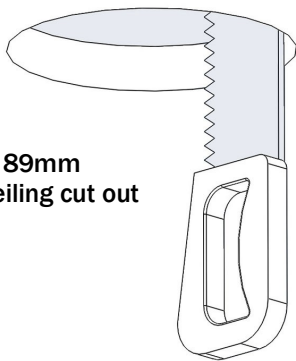
- Use only with the approved driver for this product.
- This luminaire is for indoor use only.
- **IMPORTANT** The LED driver must not be covered by ceiling insulation material; this will reduce the units operational lifetime, invalidate the guarantee and may cause a risk of fire.

This install manual covers the following products:



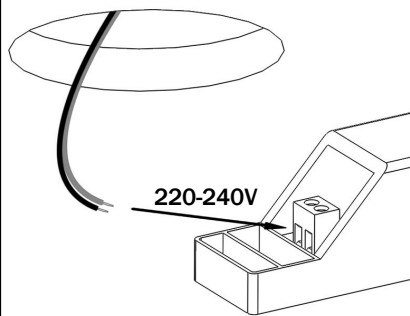
ECO600A-xx-xx-xxx

1.



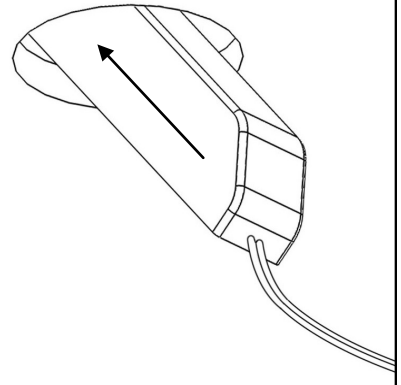
Ø 89mm  
ceiling cut out

2.



220-240V

3.



4.

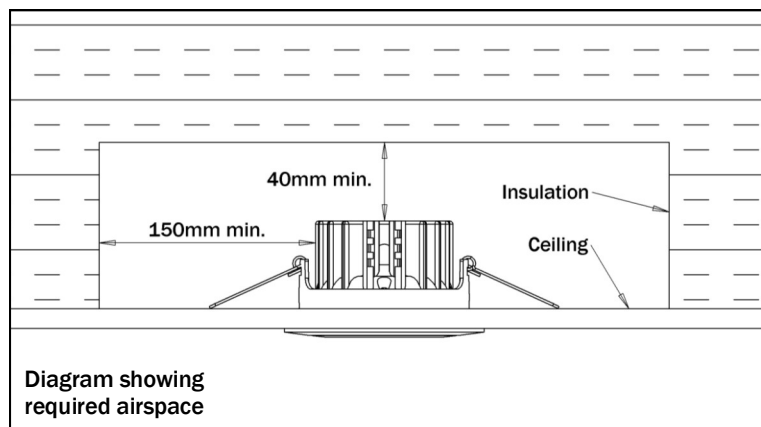
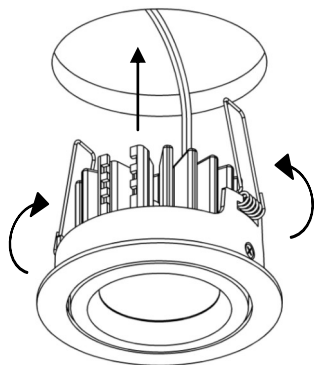


Diagram showing  
required airspace

Photonstar LED Group plc  
Unit 8, Westlink,  
Belbins Business Park  
Romsey  
Hampshire  
SO51 7JF  
UK

Tel: +44(0) 845 519 7717  
Email: [ecostar@photonstarled.co.uk](mailto:ecostar@photonstarled.co.uk)  
Web: [www.ecostar.photonstarlighting.co.uk](http://www.ecostar.photonstarlighting.co.uk)