



by
PhotonStarTM

Award Winning British LED Lighting

t: +44 (0) 845 519 7717 www.ecostarled.co.uk



V2016.07.27

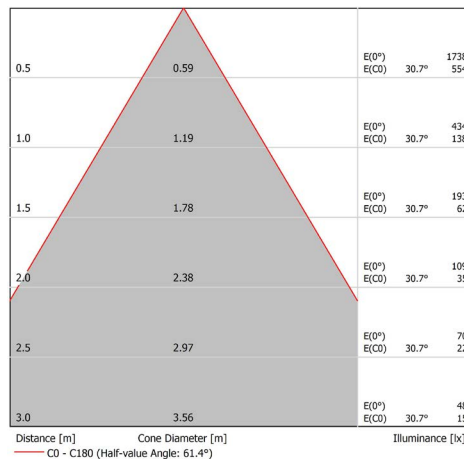
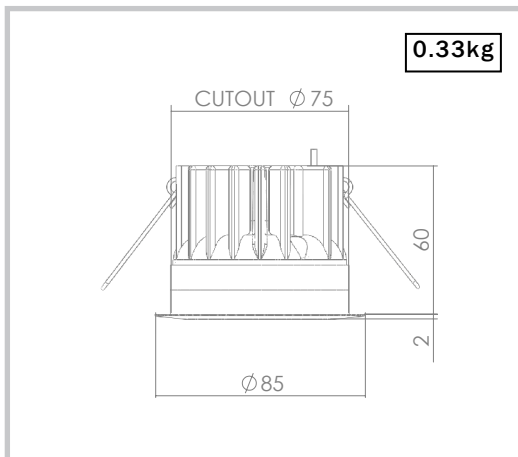
EcoStar 600T

Thin Trim Slim, ultra efficient low maintenance LED downlights for halogen replacement

Diffused Optic
Non LED
Appearance



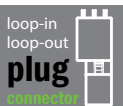
	Ultra Warm White 2700K Ra80+	Warm White 3000K Ra80+	Neutral White 4000K Ra80+
Colour temperature/rendering	2700K Ra80+	3000K Ra80+	4000K Ra80+
Illuminance comparable to	50W GU10/35W LV halogen	50W GU10/35W LV halogen	50W GU10/35W LV halogen
Light engine power	5.25W	5.25W	5.25W
LED lumens (L ₁₀₀)	591 lm	609 lm	636 lm
Delivered lumens (L ₁₀₀)	538 lm	554 lm	579 lm
System power (including driver)	6.6W	6.6W	6.6W
Efficacy (lumens/circuit Watt)	82 lm/cW	84 lm/cW	88 lm/cW
Approximate lifetime (L ₇₀ F ₁₀)	40,000 hrs	40,000 hrs	40,000 hrs
Dimming option	Yes, see '-DIM' version	Yes, see '-DIM' version	Yes, see '-DIM' version
Emergency option	Yes	Yes	Yes
Building Regulations	B⁺, C, E, L	B⁺, C, E, L	B⁺, C, E, L



Part
L
1&2
compliant

5
year
warranty

ECA
compliant



NB: EM denotes 3 Hour Emergency Pack with BLF of 16%
NB: All figures +/- 10%.

EcoStar 600T order codes

Non-Dimmable

ECO600T-27-MW	ECO600T 2700K 6.6W 70° matt white mains non-dim driver
ECO600T-30-MW	ECO600T 3000K 6.6W 70° matt white mains non-dim driver
ECO600T-40-MW	ECO600T 4000K 6.6W 70° matt white mains non-dim driver
ECO600T-27-MW-E	ECO600T 2700K 6.6W 70° matt white mains non-dim EM
ECO600T-30-MW-E	ECO600T 3000K 6.6W 70° matt white mains non-dim EM
ECO600T-40-MW-E	ECO600T 4000K 6.6W 70° matt white mains non-dim EM

Mains Dimmable

ECO600T-27-MW-DIM	ECO600T 2700K 6.6W 70° matt white mains dimmable driver
ECO600T-30-MW-DIM	ECO600T 3000K 6.6W 70° matt white mains dimmable driver
ECO600T-40-MW-DIM	ECO600T 4000K 6.6W 70° matt white mains dimmable driver
ECO600T-27-MW-DIM-E	ECO600T 2700K 6.6W 70° matt white mains dimmable EM
ECO600T-30-MW-DIM-E	ECO600T 3000K 6.6W 70° matt white mains dimmable EM
ECO600T-40-MW-DIM-E	ECO600T 4000K 6.6W 70° matt white mains dimmable EM

Accessories

ECO600-IS	EcoStar 600 Thermal Insulation Spacer
-----------	---------------------------------------



tel: 0845 519 7717

fax: 02381 230 382

web: www.ecostarled.co.uk

email: ecostar@photonstarlighting.co.uk

find your stockist online: www.findlights.co.uk
find your approved installer: www.installecostar.co.uk