



EcoStar 500 & 500+

Energy efficient low maintenance LED downlights for halogen replacement

features & benefits

Equal to a 35W LV or 50W GU10 halogen, but 80% less energy

Easy to install - driver connects straight to mains

Light is instant-on to full brightness

Rich warm white 3000K light output to match halogen sources

Option for high quality natural white 4000K light output

Ra80+ colour quality, as called for by CIBSE Code for Interior Lighting

IP65 sealed, suitable for use in wet areas

Patented Fire Protection Technology (FireLoc™) for ceiling integrity

Dimmable and emergency versions available

Designed to comply with UK Building Regulations parts B, C, E, L & P

EcoStar 500 47 lm/cW

EcoStar500+ 55 lm/cW

true value for money



8.6W
EcoStar
500+

Fittings needed to achieve 100 lux	9
Lighting level achieved (lx)	131 lx
Uniformity	73.1%
Life expectancy	50,000 hrs
Lumens	468 lm
Lumens per circuit Watt	55 lm/cW
Part L 2010 Compliant	YES

5
year
warranty

Part
L
1&2
compliant



7W
market
leading
LED
lamp

Fittings needed to achieve 100 lux	12
Lighting level achieved (lx)	128 lx
Uniformity	83.5%
Life expectancy	40,000 hrs
Lumens	270 lm
Lumens per circuit Watt	40 lm/cW
Part L 2010 Compliant	NO

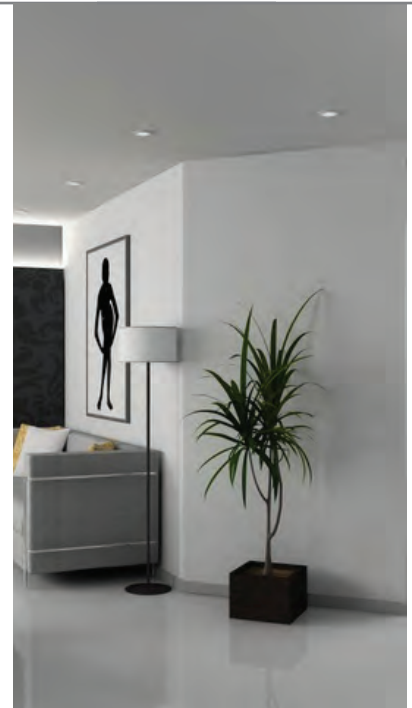
3
year
warranty



50W
GU10

Fittings needed to achieve 100 lux	9
Lighting level achieved (lx)	177 lx
Uniformity	85.5%
Life expectancy	2,000 hrs
Lumens	300 lm
Lumens per circuit Watt	6 lm/cW
Part L 2010 Compliant	NO

NO
warranty



EcoStar 500+ products offer the end user the best possible savings when considering installation and running costs. Extremely low energy consumption and minimal maintenance mean they are not only extremely cost effective to run, but last many times longer than halogens.

EcoStar 500+ fittings easily out-perform current retrofit LED lamps. The small physical size of an LED based lamp means that the total light emitted is a lot less than an EcoStar500+ luminaire, with the light being concentrated in much tighter beam affecting the lit appearance of a space.

Even the market leading product fails to meet Part L, currently emitting just 270 lumens.

* Design parameters for the room are as follows: Dimensions: L4.5m W4.5m H2.4m
Surface Reflectance: C70% W50% F20% Maintenance Factor: 0.8 Target average Illuminance: ≥100 lux on floor with a regular array of fittings

a little bit of brilliance

£201
energy
saved *

*Energy saved in
50,000 hrs use
when compared
to 50W GU10
halogen lamps

1091
less
CO₂ kg *

*Over 50,000hrs
assuming
0.544kgCO₂
per kWh

80%
lower
energy *

*80% lower
energy than
a 50W GU10
with 36%
more light

0
lamp
changes in
50,000hrs

Part
1&2
compliant

8
month
payback †

2-5
year
warranty



EcoStar 500 & 500+

Energy efficient low maintenance LED downlights for halogen replacement

finishes

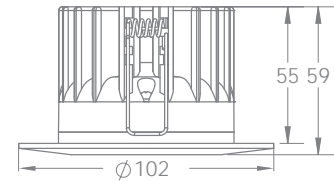
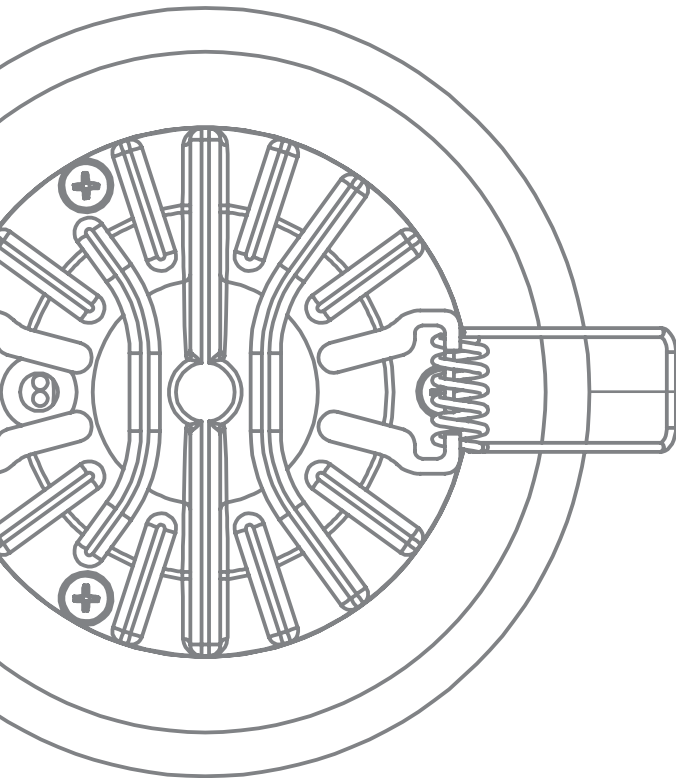


Matt Chrome
(MC)

Matt White (MW)

Polished Chrome
(PC)

Other colours available to order



EcoStar 500+

Energy efficient low maintenance LED downlight for halogen replacement



Finishes

- Matt White
- Matt Chrome
- Polished Chrome
- * Other colours available to order



Insulation Spacer

- Allows thermal insulation to lay over the downlight
- 90mm total depth (incl fitting)



Hole Adapters

For retrofit applications on projects with larger cut outs

- HA1 HA2 - Finish Matt White (MW)
- Two sizes available

Illuminance comparable to

Light engine power

LED lumens (L₁₀₀)

Delivered lumens (L₁₀₀)

System power (including driver)

Efficacy (lumens/circuit Watt)

Approximate lifetime (L₇₀)

Dimming option

Emergency option

Colour temperature/rendering

High power factor correction

50W GU10/35W 12V halogen

7.4W

513 lm

468 lm

8.6W

55 lm/cW

50,000 hrs

Yes (Trailing Edge) - see website for compatibility

Yes

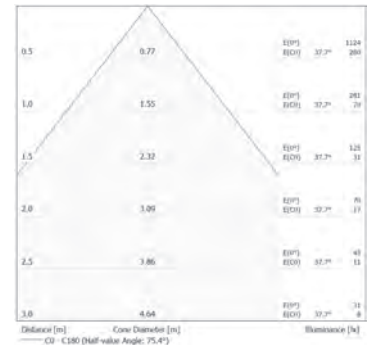
3000K or 4000K /Ra80+

>0.9

Part L
1&2
compliant

5
year
warranty

8
month
payback



order codes

non-dimmable

ECO500+30-MW	ECO500+ 3000K 8.6W 70° matt white non-dimmable driver
ECO500+40-MW	ECO500+ 4000K 8.6W 70° matt white non-dimmable driver
ECO500+30-PC	ECO500+ 3000K 8.6W 70° polished chrome non-dimmable driver
ECO500+40-PC	ECO500+ 4000K 8.6W 70° polished chrome non-dimmable driver
ECO500+30-MC	ECO500+ 3000K 8.6W 70° matt chrome non-dimmable driver
ECO500+40-MC	ECO500+ 4000K 8.6W 70° matt chrome non-dimmable driver
ECO500+30-MW-E	ECO500+ 3000K 8.6W 70° matt white non-dimmable EM
ECO500+40-MW-E	ECO500+ 4000K 8.6W 70° matt white non-dimmable EM
ECO500+30-PC-E	ECO500+ 3000K 8.6W 70° polished chrome non-dimmable EM
ECO500+40-PC-E	ECO500+ 4000K 8.6W 70° polished chrome non-dimmable EM
ECO500+30-MC-E	ECO500+ 3000K 8.6W 70° matt chrome non-dimmable EM
ECO500+40-MC-E	ECO500+ 4000K 8.6W 70° matt chrome non-dimmable EM

dimmable (trailing edge)

ECO500+30-MW-TD	ECO500+ 3000K 8.6W 70° matt white dimmable driver
ECO500+40-MW-TD	ECO500+ 4000K 8.6W 70° matt white dimmable driver
ECO500+30-PC-TD	ECO500+ 3000K 8.6W 70° polished chrome dimmable
ECO500+40-PC-TD	ECO500+ 4000K 8.6W 70° polished chrome dimmable
ECO500+30-MC-TD	ECO500+ 3000K 8.6W 70° matt chrome dimmable driver
ECO500+40-MC-TD	ECO500+ 4000K 8.6W 70° matt chrome dimmable driver
ECO500+30-MW-TDE	ECO500+ 3000K 8.6W 70° matt white dimmable EM
ECO500+40-MW-TDE	ECO500+ 4000K 8.6W 70° matt white dimmable EM
ECO500+30-PC-TDE	ECO500+ 3000K 8.6W 70° polished chrome dimmable EM
ECO500+40-PC-TDE	ECO500+ 4000K 8.6W 70° polished chrome dimmable EM
ECO500+30-MC-TDE	ECO500+ 3000K 8.6W 70° matt chrome dimmable EM
ECO500+40-MC-TDE	ECO500+ 4000K 8.6W 70° matt chrome dimmable EM

accessories

ECO500-HA1-MW	ECO500-HA1-MW Hole Adapter for 90mm-105mm holes
ECO500-HA2-MW	ECO500-HA2-MW Hole Adapter for 105mm-170mm holes
ECO500-IS	ECO500 Thermal Insulation Spacer

* EM denotes 3 Hour Emergency Pack with BLF of 16%