

EcoStar 1000

Ultra efficient low glare downlight for 50W LV / 18W CFL replacement

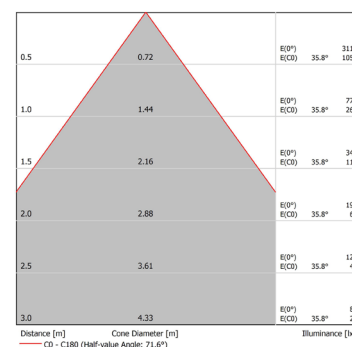


Part L 1&2 compliant

5 year warranty

ECA compliant*

Colour temperature/rendering	4000K/Ra80+
Illuminance comparable to	50W LV halogen/18W TC-D
Light engine power	8.4W
LED lumens (L ₁₀₀)	1063 lm
Delivered lumens (L ₁₀₀)	808 lm
System power (including driver)	10W
Efficacy (lumens/circuit Watt)	82 lm/cW
Approximate lifetime (L ₇₀ F ₁₀)	40,000 hrs
Dimming option	Yes (1-10V)
Emergency option	Yes

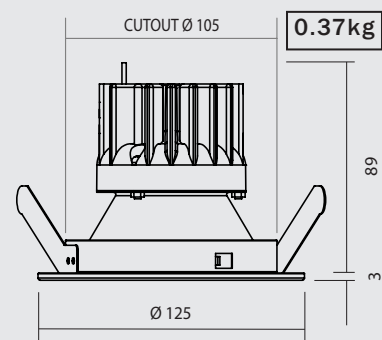


order codes

ECO1000LG	ECO1000LG 4000K low glare 10W white non-dim
ECO1000LG-E	ECO1000LG 4000K low glare 10W white non-dim EM
ECO1000LG-AD	ECO1000LG 4000K low glare 10W white 1-10V dimmable
ECO1000LG-ADE	ECO1000LG 4000K low glare 10W white 1-10V dimmable EM

Accessories

ECO1000-HA1-MW	ECO1000-HA1-MW Hole Adapter for 115mm-170mm holes
----------------	---



NB: EM denotes 3 Hour Emergency Pack with BLF of 10%

*Subject to choice of driver and dimming options - see individual data sheets. You should seek qualified accounting advice prior to assuming that a project or product is eligible.