



EcoStar 1500LG

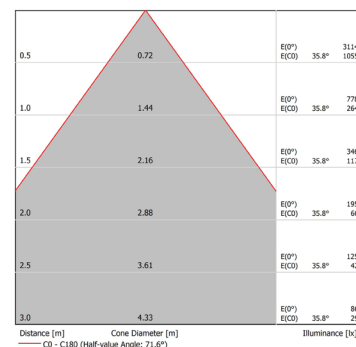
Ultra efficient low glare downlight for 2x18W TC-D replacement

Colour temperature/rendering	4000K/Ra80+
Illuminance comparable to	2x18W TC-D CFL
Light engine power	13W
LED lumens (L ₁₀₀)	1585 lm
Delivered lumens (L ₁₀₀)	1250 lm
System power (including driver)	15.5W
Efficacy (lumens/circuit Watt)	81 lm/cW
Approximate lifetime (L ₇₀ F ₁₀)	40,000 hrs
Dimming option	Yes (1-10V)
Emergency option	Yes

Part 1&2 compliant

5 year warranty

ECA compliant*



order codes

Low Glare

ECO1500LG	ECO1500LG 4000K low glare 15cW white non-dim
ECO1500LG-E	ECO1500LG 4000K low glare 15cW white non-dim EM
ECO1500LG-AD	ECO1500LG 4000K low glare 15cW white 1-10V dimmable
ECO1500LG-ADE	ECO1500LG 4000K low glare 15cW white 1-10V dimmable EM

Drop Ring

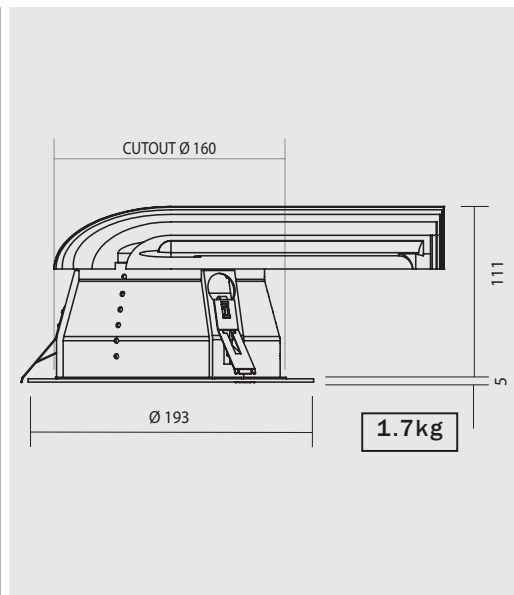
ECO1500DRD	ECO1500DRD 4000K drop ring 15cW white non-dim
ECO1500DRD-E	ECO1500DRD 4000K drop ring 15cW white non-dim EM
ECO1500DRD-AD	ECO1500DRD 4000K drop ring 15cW white 1-10V dimmable
ECO1500DRD-ADE	ECO1500DRD 4000K drop ring 15cW white 1-10V dimmable EM

IP44

ECO1500-IP44	ECO1500-IP44 4000K IP44 15cW white non-dim
ECO1500-IP44-E	ECO1500-IP44 4000K IP44 15cW white non-dim EM
ECO1500-IP44-AD	ECO1500-IP44 4000K IP44 15cW white 1-10V dimmable
ECO1500-IP44-ADE	ECO1500-IP44 4000K IP44 15cW white 1-10V dimmable EM

Accessories

ECO15-22-HA1-MW	EcoStar 1500/2200 Adapter for 170mm-180mm holes
ECO15-22-HA2-MW	EcoStar 1500/2200 Adapter for 180mm-210mm holes



NB: EM denotes 3 Hour Emergency Pack with BLF of 5.8%

*Subject to choice of driver and dimming options - see individual data sheets. You should seek qualified accounting advice prior to assuming that a project or product is eligible.