

## EcoStar 2200LG

Ultra efficient low glare downlight for 2x26W TC-D replacement

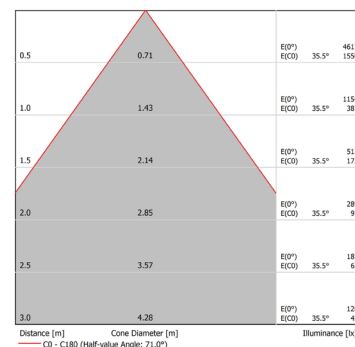


Part 1&2 compliant

5 year warranty

ECA compliant\*

Colour temperature/rendering	<b>4000K/Ra80+</b>
Illuminance comparable to	<b>2x26W TC-D CFL</b>
Light engine power	<b>19.3W</b>
LED lumens (L <sub>100</sub> )	<b>2338 lm</b>
Delivered lumens (L <sub>100</sub> )	<b>1800 lm</b>
System power (including driver)	<b>22W</b>
Efficacy (lumens/circuit Watt)	<b>81 lm/cW</b>
Approximate lifetime (L <sub>70</sub> F <sub>10</sub> )	<b>40,000 hrs</b>
Dimming option	<b>Yes (1-10V)</b>
Emergency option	<b>Yes</b>



### order codes

#### Low Glare

ECO2200LG	ECO2200LG 4000K low glare 22.5cW white non-dim
ECO2200LG-E	ECO2200LG 4000K low glare 22.5cW white non-dim EM
ECO2200LG-AD	ECO2200LG 4000K low glare 22.5cW white 1-10V dimmable
ECO2200LG-ADE	ECO2200LG 4000K low glare 22.5cW white 1-10V dimmable EM

#### Drop Ring

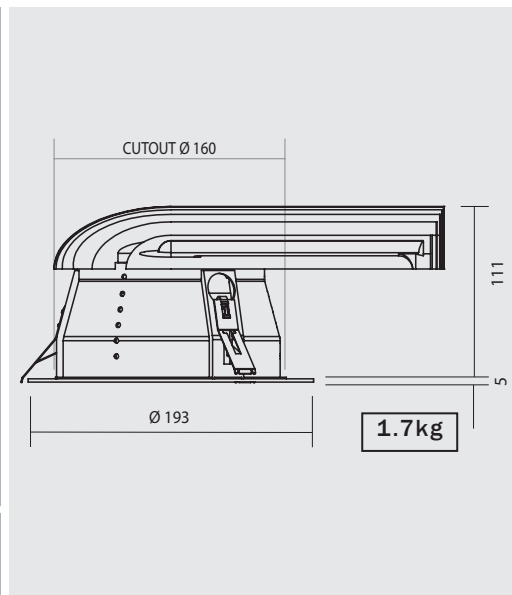
ECO2200DRD	ECO2200DRD 4000K drop ring 22.5cW white non-dim
ECO2200DRD-E	ECO2200DRD 4000K drop ring 22.5cW white non-dim EM
ECO2200DRD-AD	ECO2200DRD 4000K drop ring 22.5cW white 1-10V dimmable
ECO2200DRD-ADE	ECO2200DRD 4000K drop ring 22.5cW white 1-10V dimmable EM

#### IP44

ECO2200-IP44	ECO2200-IP44 4000K IP44 22.5cW white non-dim
ECO2200-IP44-E	ECO2200-IP44 4000K IP44 22.5cW white non-dim EM
ECO2200-IP44-AD	ECO2200-IP44 4000K IP44 22.5cW white 1-10V dimmable
ECO2200-IP44-ADE	ECO2200-IP44 4000K IP44 22.5cW white 1-10V dimmable EM

#### Accessories

ECO15-22-HA1-MW	EcoStar 1500/2200 Adapter for 170mm-180mm holes
ECO15-22-HA2-MW	EcoStar 1500/2200 Adapter for 180mm-210mm holes



NB: EM denotes 3 Hour Emergency Pack with BLF of 3.9%

\*Subject to choice of driver and dimming options - see individual data sheets. You should seek qualified accounting advice prior to assuming that a project or product is eligible.