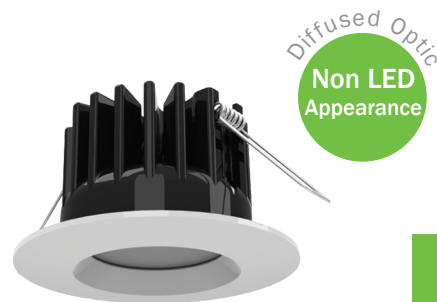


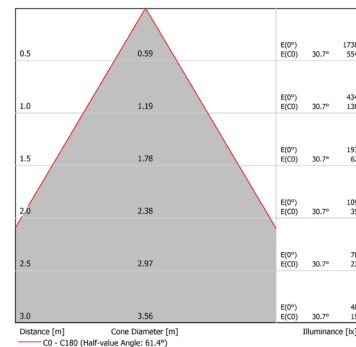
EcoStar 600

Ultra efficient low maintenance LED downlights for halogen replacement



	Warm White
Colour temperature/rendering	3000K Ra80+
Illuminance comparable to	50W GU10/35W LV halogen
Light engine power	5.25W
LED lumens (L ₁₀₀)	609 lm
Delivered lumens (L ₁₀₀)	535 lm
System power (including driver)	6.6W
Efficacy (lumens/circuit Watt)	81 lm/cW
Approximate lifetime (L ₇₀ F ₁₀)	40,000 hrs
Dimming option	See EcoStar 600 TD
Emergency option	Yes
Building Regulations	B⁺, C, E, L

	Neutral White
Colour temperature/rendering	4000K Ra80+
Illuminance comparable to	50W GU10/35W LV halogen
Light engine power	5.25W
LED lumens (L ₁₀₀)	636 lm
Delivered lumens (L ₁₀₀)	559 lm
System power (including driver)	6.6W
Efficacy (lumens/circuit Watt)	85 lm/cW
Approximate lifetime (L ₇₀ F ₁₀)	40,000 hrs
Dimming option	See EcoStar 600 TD
Emergency option	Yes
Building Regulations	B⁺, C, E, L



Part L
1&2
compliant

5
year
warranty

ECA
compliant*



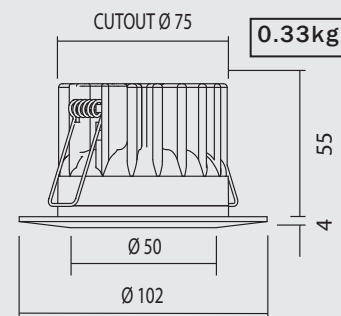
order codes

Mains Dimmable

ECO600-30-MW	ECO600 3000K 6.6W 70° matt white non-dim driver
ECO600-40-MW	ECO600 4000K 6.6W 70° matt white non-dim driver
ECO600-30-PC	ECO600 3000K 6.6W 70° polished chrome non-dim driver
ECO600-40-PC	ECO600 4000K 6.6W 70° polished chrome non-dim driver
ECO600-30-MC	ECO600 3000K 6.6W 70° matt chrome non-dim driver
ECO600-40-MC	ECO600 4000K 6.6W 70° matt chrome non-dim driver
ECO600-30-MW-E	ECO600 3000K 6.6W 70° matt white non-dim EM
ECO600-40-MW-E	ECO600 4000K 6.6W 70° matt white non-dim EM
ECO600-30-PC-E	ECO600 3000K 6.6W 70° polished chrome non-dim EM
ECO600-40-PC-E	ECO600 4000K 6.6W 70° polished chrome non-dim EM
ECO600-30-MC-E	ECO600 3000K 6.6W 70° matt chrome non-dim EM
ECO600-40-MC-E	ECO600 4000K 6.6W 70° matt chrome non-dim EM

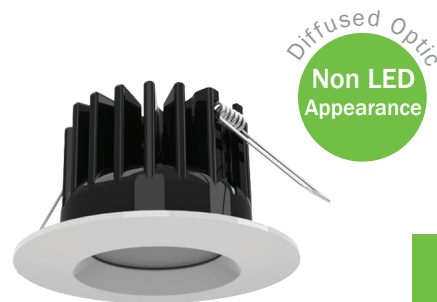
Accessories

ECO600-HA1-MW	EcoStar 600 Hole Adapter for 90mm-105mm holes
ECO600-HA2-MW	EcoStar 600 Hole Adapter for 105mm-170mm holes
ECO600-IS	EcoStar 600 Thermal Insulation Spacer



EcoStar 600 TD

Dimmable ultra efficient low maintenance LED downlights for halogen replacement

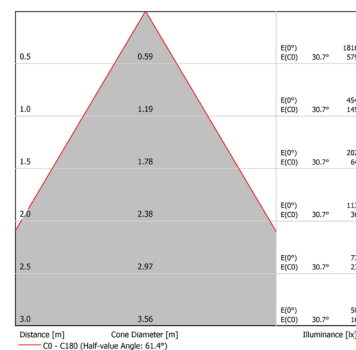


	Warm White	Neutral White
Colour temperature/rendering	3000K Ra80+	4000K Ra80+
Illuminance comparable to	50W GU10/35W LV halogen	50W GU10/35W LV halogen
Light engine power	5.25W	5.25W
LED lumens (L ₁₀₀)	609 lm	636 lm
Delivered lumens (L ₁₀₀)	535 lm	559 lm
System power (including driver)	7.9W	7.9W
Efficacy (lumens/circuit Watt)	68 lm/cW	71 lm/cW
Approximate lifetime (L ₇₀ F ₁₀)	40,000 hrs	40,000 hrs
Dimmable	Yes (Trailing Edge)	Yes (Trailing Edge)
Emergency option	Yes	Yes
Building Regulations	B⁺, C, E, L	B⁺, C, E, L

Part L 1&2 compliant

5 year warranty

ECA compliant*



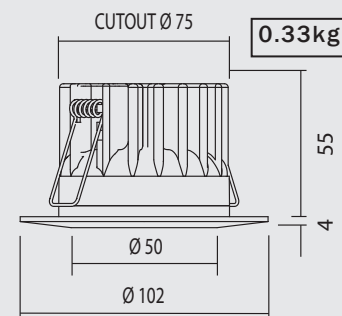
order codes

Mains Dimmable

ECO600-30-MW-TD	ECO600 3000K 7.9W 70° matt white dimmable driver
ECO600-40-MW-TD	ECO600 4000K 7.9W 70° matt white dimmable driver
ECO600-30-PC-TD	ECO600 3000K 7.9W 70° polished chrome dimmable driver
ECO600-40-PC-TD	ECO600 4000K 7.9W 70° polished chrome dimmable driver
ECO600-30-MC-TD	ECO600 3000K 7.9W 70° matt chrome dimmable driver
ECO600-40-MC-TD	ECO600 4000K 7.9W 70° matt chrome dimmable driver
ECO600-30-MW-TDE	ECO600 3000K 7.9W 70° matt white dimmable EM
ECO600-40-MW-TDE	ECO600 4000K 7.9W 70° matt white dimmable EM
ECO600-30-PC-TDE	ECO600 3000K 7.9W 70° polished chrome dimmable EM
ECO600-40-PC-TDE	ECO600 4000K 7.9W 70° polished chrome dimmable EM
ECO600-30-MC-TDE	ECO600 3000K 7.9W 70° matt chrome dimmable EM
ECO600-40-MC-TDE	ECO600 4000K 7.9W 70° matt chrome dimmable EM

Accessories

ECO600-HA1-MW	EcoStar 600 Hole Adapter for 90mm-105mm holes
ECO600-HA2-MW	EcoStar 600 Hole Adapter for 105mm-170mm holes
ECO600-IS	EcoStar 600 Thermal Insulation Spacer



NB: EM denotes 3 Hour Emergency Pack with BLF of 16%

*Subject to choice of driver and dimming options - see individual data sheets. You should seek qualified accounting advice prior to assuming that a project or product is eligible.