



by
PhotonStarTM

Award Winning British LED Lighting

t: +44 (0) 845 519 7717 www.ecostarled.co.uk

Designed
& Produced
in the UK



V2018.01.09

EcoStar 3100LG+

Ultra efficient low glare downlight for 2x32W TC-T replacement

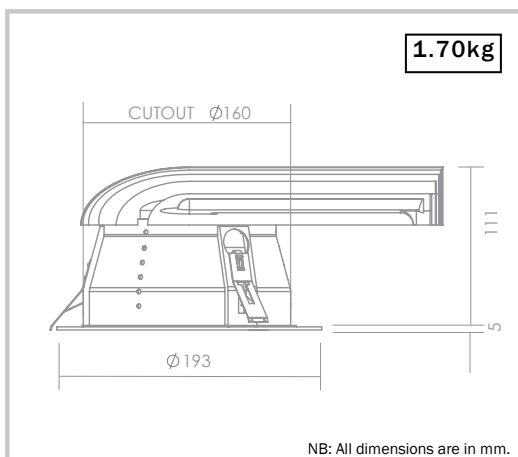


Up To
120
lm/cW

NEW

Now
IP44
Rated

	Warm White 3000K Ra80+	Cool White 4000K/Ra80+
Colour temperature/rendering	3000K Ra80+	4000K/Ra80+
Illuminance comparable to	2x32W TC-T CFL	2x32W TC-T CFL
Light engine power	20.5W	20.5W
LED lumens (L ₁₀₀)	3093 lm	3497 lm
Delivered lumens (L ₁₀₀)	2722 lm	3077 lm
System power (including driver)	25.6W	25.6W
Efficacy (lumens/circuit Watt) ⁺	106 lm/cW	120 lm/cW
Approximate lifetime (L ₇₀ F ₁₀)	40,000 hrs	40,000 hrs
Initial / Maintained SDCM	<3 / <3	<3 / <3
Driver Options Available	Yes, DALI, 1-10V	Yes, DALI, 1-10V
Emergency Option Available	Yes	Yes



NB: EM denotes 3 Hour Non-Self-Test Emergency Pack with BLF of 12.10%
NB: All Lumen, Power & Efficacy Figures are +/- 10% @25°C Ambient Temp.

*Subject to choice of driver and dimming options. For ECA compliance you should seek qualified accounting advice prior to assuming that a project or product is eligible.

Part L
1&2
compliant

5
year
warranty

ECA
compliant⁺

EcoStar 3100LG+ order codes

Low Glare

ECO3100LG+30	ECO3100LG+ 3000K Low Glare 25.6cW 60° Matt White, Non-dim driver
ECO3100LG+40	ECO3100LG+ 4000K Low Glare 25.6cW 60° Matt White, Non-dim driver
ECO3100LG+30-E	ECO3100LG+ 3000K Low Glare 25.6cW 60° Matt White, Non-dim driver EM
ECO3100LG+40-E	ECO3100LG+ 4000K Low Glare 25.6cW 60° Matt White, Non-dim driver EM
ECO3100LG+30-AD	ECO3100LG+ 3000K Low Glare 25.6cW 60° Matt White, 1-10V dim driver
ECO3100LG+40-AD	ECO3100LG+ 4000K Low Glare 25.6cW 60° Matt White, 1-10V dim driver
ECO3100LG+30-AD-E	ECO3100LG+ 3000K Low Glare 25.6cW 60° Matt White, 1-10V dim driver EM
ECO3100LG+40-AD-E	ECO3100LG+ 4000K Low Glare 25.6cW 60° Matt White, 1-10V dim driver EM
ECO3100LG+30-DL	ECO3100LG+ 3000K Low Glare 25.6cW 60° Matt White, DALI dim driver
ECO3100LG+40-DL	ECO3100LG+ 4000K Low Glare 25.6cW 60° Matt White, DALI dim driver
ECO3100LG+30-DL-E	ECO3100LG+ 3000K Low Glare 25.6cW 60° Matt White, DALI dim driver EM
ECO3100LG+40-DL-E	ECO3100LG+ 4000K Low Glare 25.6cW 60° Matt White, DALI dim driver EM

Drop Ring

ECO3100RD+30	ECO3100RD+ 3000K Drop Ring 25.6cW 60° Matt White, Non-dim driver
ECO3100RD+40	ECO3100RD+ 4000K Drop Ring 25.6cW 60° Matt White, Non-dim driver
ECO3100RD+30-E	ECO3100RD+ 3000K Drop Ring 25.6cW 60° Matt White, Non-dim driver EM
ECO3100RD+40-E	ECO3100RD+ 4000K Drop Ring 25.6cW 60° Matt White, Non-dim driver EM
ECO3100RD+30-AD	ECO3100RD+ 3000K Drop Ring 25.6cW 60° Matt White, 1-10V dim driver
ECO3100RD+40-AD	ECO3100RD+ 4000K Drop Ring 25.6cW 60° Matt White, 1-10V dim driver
ECO3100RD+30-AD-E	ECO3100RD+ 3000K Drop Ring 25.6cW 60° Matt White, 1-10V dim driver EM
ECO3100RD+40-AD-E	ECO3100RD+ 4000K Drop Ring 25.6cW 60° Matt White, 1-10V dim driver EM
ECO3100RD+30-DL	ECO3100RD+ 3000K Drop Ring 25.6cW 60° Matt White, DALI dim driver
ECO3100RD+40-DL	ECO3100RD+ 4000K Drop Ring 25.6cW 60° Matt White, DALI dim driver
ECO3100RD+30-DL-E	ECO3100RD+ 3000K Drop Ring 25.6cW 60° Matt White, DALI dim driver EM
ECO3100RD+40-DL-E	ECO3100RD+ 4000K Drop Ring 25.6cW 60° Matt White, DALI dim driver EM

Accessories

ECO16-23-31-HA1-MW	EcoStar 1600/2300/3100 Hole Adapter for 170mm-180mm holes
ECO16-23-31-HA2-MW	EcoStar 1600/2300/3100 Hole Adapter for 170mm-210mm holes
ECO16-23-31-HA3-MW	EcoStar 1600/2300/3100 Hole Adapter for 170mm-285mm holes



tel: 0845 519 7717
fax: 02381 230 382
web: www.ecostarled.co.uk
email: ecostar@photonstarlighting.co.uk

find your stockist online: www.findlights.co.uk
find your approved installer: www.installecostar.co.uk