



by
PhotonStarTM

Award Winning British LED Lighting

t: +44 (0) 845 519 7717 www.ecostarled.co.uk

Designed
& Produced
in the UK



V2018.01.09

EcoStar 600D+

Darklight, ultra efficient low maintenance LED downlights for halogen replacement
Mains Dimming as Standard, also available with UEP Driver

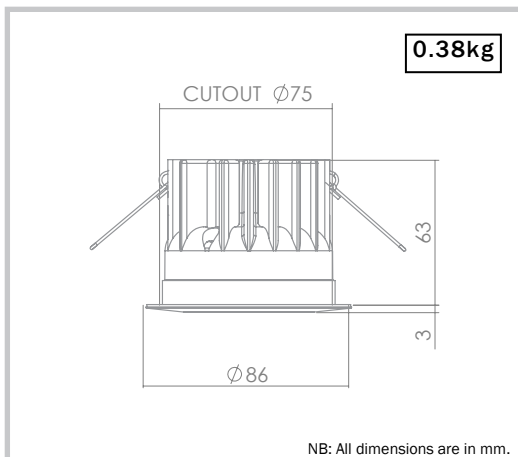


Up To
89
lm/cW

**MAINS
DIMMING**

As Standard

	Ultra Warm White 2700K Ra80+		Warm White 3000K Ra80+		Neutral White 4000K Ra80+	
Colour temperature/rendering						
Illuminance comparable to	50W GU10/35W LV halogen		50W GU10/35W LV halogen		50W GU10/35W LV halogen	
Light engine power	4.2W		4.2W		4.2W	
LED lumens (L ₁₀₀)	610 lm		628 lm		681 lm	
Delivered lumens (L ₁₀₀)	394 lm		405 lm		440 lm	
System power (including driver)	1-1 DVR 5.8W	3-1 UEP DVR 4.9W	1-1 DVR 5.8W	3-1 UEP DVR 4.9W	1-1 DVR 5.8W	3-1 UEP DVR 4.9W
Efficacy (lumens/circuit Watt)*	1-1 DVR 68 lm/cW	3-1 UEP DVR 80 lm/cW	1-1 DVR 70 lm/cW	3-1 UEP DVR 82 lm/cW	1-1 DVR 76 lm/cW	3-1 UEP DVR 89 lm/cW
Approximate lifetime (L ₇₀ F ₁₀)/SDCM	50,000 hrs		50,000 hrs		50,000 hrs	
Initial / Maintained SDCM	<3 / <3		<3 / <3		<3 / <3	
Driver Options Available	Yes, Mains Dim, DALI, 1-10V		Yes, Mains Dim, DALI, 1-10V		Yes, Mains Dim, DALI, 1-10V	
Emergency Option Available	Yes, (3-1 UEP DVR N/A)		Yes, (3-1 UEP DVR N/A)		Yes, (3-1 UEP DVR N/A)	
Building Regulations	B⁺, C, E, L		B⁺, C, E, L		B⁺, C, E, L	



NB: EM denotes 3 Hour Non-Self-Test Emergency Pack with BLF of 57.14%
NB: All Lumen, Power & Efficacy Figures are +/- 10% @25°C Ambient Temp.
NB: 1-1 DVR: one luminaire to one driver.
3-1 UEP DVR: Ultra Efficiency Pack; three luminaires to one driver.

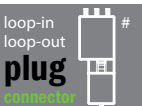
*Subject to choice of driver and dimming options. For ECA compliance you should seek qualified accounting advice prior to assuming that a project or product is eligible.

*Mains dim/ Non-dim 1-1 driver only.

Part L
1&2
compliant

5
year
warranty

ECA
compliant⁺



EcoStar 600D+ order codes

Standard Product Codes

ECO600D+27-MW-UNI	ECO600D+ 2700K Darklight 5.8cW 56° Matt White, Universal Mains dim/Non-dim driver
ECO600D+30-MW-UNI	ECO600D+ 3000K Darklight 5.8cW 56° Matt White, Universal Mains dim/Non-dim driver
ECO600D+40-MW-UNI	ECO600D+ 4000K Darklight 5.8cW 56° Matt White, Universal Mains dim/Non-dim driver
ECO600D+27-MW-AD	ECO600D+ 2700K Darklight 5.8cW 56° Matt White, 1-10V dim driver
ECO600D+30-MW-AD	ECO600D+ 3000K Darklight 5.8cW 56° Matt White, 1-10V dim driver
ECO600D+40-MW-AD	ECO600D+ 4000K Darklight 5.8cW 56° Matt White, 1-10V dim driver
ECO600D+27-MW-DL	ECO600D+ 2700K Darklight 5.8cW 56° Matt White, DALI dim driver
ECO600D+30-MW-DL	ECO600D+ 3000K Darklight 5.8cW 56° Matt White, DALI dim driver
ECO600D+40-MW-DL	ECO600D+ 4000K Darklight 5.8cW 56° Matt White, DALI dim driver

Bezel Options

Brushed Nickel	Not available
Polished Chrome	Not available

Emergency Options

3hr Non-Self-Test EM Pack	Add "-E" at the end of the code
---------------------------	---------------------------------

3-1 UEP DVR (Ultra Efficiency Pack, 3 downlights connected to 1 LED driver via supplied loom)

ECO600D+27-MW-UEP	ECO600D+ 2700K Darklight 4.9cW 56° Matt White, Non-dim driver/Ultra Efficiency Pack
ECO600D+30-MW-UEP	ECO600D+ 3000K Darklight 4.9cW 56° Matt White, Non-dim driver/Ultra Efficiency Pack
ECO600D+40-MW-UEP	ECO600D+ 4000K Darklight 4.9cW 56° Matt White, Non-dim driver/Ultra Efficiency Pack
ECO600D+27-MW-UEP-AD	ECO600D+ 2700K Darklight 4.9cW 56° Matt White, 1-10V dim driver/Ultra Efficiency Pack
ECO600D+30-MW-UEP-AD	ECO600D+ 3000K Darklight 4.9cW 56° Matt White, 1-10V dim driver/Ultra Efficiency Pack
ECO600D+40-MW-UEP-AD	ECO600D+ 4000K Darklight 4.9cW 56° Matt White, 1-10V dim driver/Ultra Efficiency Pack
ECO600D+27-MW-UEP-DL	ECO600D+ 2700K Darklight 4.9cW 56° Matt White, DALI dim driver/Ultra Efficiency Pack
ECO600D+30-MW-UEP-DL	ECO600D+ 3000K Darklight 4.9cW 56° Matt White, DALI dim driver/Ultra Efficiency Pack
ECO600D+40-MW-UEP-DL	ECO600D+ 4000K Darklight 4.9cW 56° Matt White, DALI dim driver/Ultra Efficiency Pack

Bezel Options

Brushed Nickel	Not available
Polished Chrome	Not available

Emergency Options

3hr Non-Self-Test EM Pack	Not available
---------------------------	---------------

Accessories

ECO600+HA1-MW	EcoStar 600+ Hole Adapter for 90mm-105mm holes (one part adapter)
ECO600+HA2-MW	EcoStar 600+ Hole Adapter for 105mm-170mm holes (two part adapter)
ECO600+IS	EcoStar 600/A+ Thermal Insulation Spacer



tel: 0845 519 7717
fax: 02381 230 382
web: www.ecostarled.co.uk
email: ecostar@photonstarlighting.co.uk

find your stockist online: www.findlights.co.uk
find your approved installer: www.installecostar.co.uk