



by  
**PhotonStar**<sup>TM</sup>

Award Winning British LED Lighting

t: +44 (0) 845 519 7717 www.ecostarled.co.uk

Designed  
& Produced  
in the UK



V2018.01.09

# EcoStar 600S+

Softlight, ultra efficient low maintenance LED downlights for halogen replacement  
Mains Dimming as Standard, also available with UEP Driver

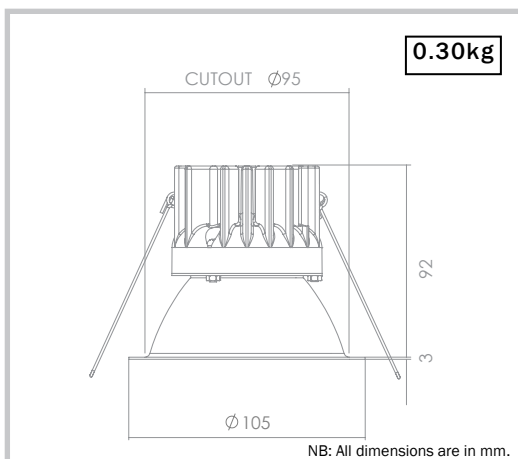


Up To  
**109**  
lm/cW

**MAINS**  
DIMMING

As Standard

	Ultra Warm White <b>2700K Ra80+</b>		Warm White <b>3000K Ra80+</b>		Neutral White <b>4000K Ra80+</b>	
Colour temperature/rendering						
Illuminance comparable to	<b>50W GU10/35W LV halogen</b>		<b>50W GU10/35W LV halogen</b>		<b>50W GU10/35W LV halogen</b>	
Light engine power	<b>4.2W</b>		<b>4.2W</b>		<b>4.2W</b>	
LED lumens (L <sub>100</sub> )	<b>610 lm</b>		<b>628 lm</b>		<b>681 lm</b>	
Delivered lumens (L <sub>100</sub> )	<b>482 lm</b>		<b>496 lm</b>		<b>538 lm</b>	
System power (including driver)	1-1 DVR <b>5.8W</b>	3-1 UEP DVR <b>4.9W</b>	1-1 DVR <b>5.8W</b>	3-1 UEP DVR <b>4.9W</b>	1-1 DVR <b>5.8W</b>	3-1 UEP DVR <b>4.9W</b>
Efficacy (lumens/circuit Watt)*	1-1 DVR <b>83 lm/cW</b>	3-1 UEP DVR <b>98 lm/cW</b>	1-1 DVR <b>86 lm/cW</b>	3-1 UEP DVR <b>101 lm/cW</b>	1-1 DVR <b>93 lm/cW</b>	3-1 UEP DVR <b>109 lm/cW</b>
Approximate lifetime (L <sub>70</sub> F <sub>10</sub> ) / SDCM	<b>50,000 hrs</b>		<b>50,000 hrs</b>		<b>50,000 hrs</b>	
Initial / Maintained SDCM	<b>&lt;3 / &lt;3</b>		<b>&lt;3 / &lt;3</b>		<b>&lt;3 / &lt;3</b>	
Driver Options Available	<b>Yes, Mains Dim, DALI, 1-10V</b>		<b>Yes, Mains Dim, DALI, 1-10V</b>		<b>Yes, Mains Dim, DALI, 1-10V</b>	
Emergency Option Available	<b>Yes, (3-1 UEP DVR N/A)</b>		<b>Yes, (3-1 UEP DVR N/A)</b>		<b>Yes, (3-1 UEP DVR N/A)</b>	
Building Regulations	<b>C, L</b>		<b>C, L</b>		<b>C, L</b>	



NB: EM denotes 3 Hour Non-Self-Test Emergency Pack with BLF of 57.14%  
NB: All Lumen, Power & Efficacy Figures are +/- 10% @25°C Ambient Temp.  
NB: 1-1 DVR: one luminaire to one driver.  
3-1 UEP DVR: Ultra Efficiency Pack; three luminaires to one driver.

\*Subject to choice of driver and dimming options. For ECA compliance you should seek qualified accounting advice prior to assuming that a project or product is eligible.

\*Mains dim/ Non-dim 1-1 driver only.

**Part L**  
1&2  
compliant

**5**  
year  
warranty

**ECA**  
compliant<sup>+</sup>



# EcoStar 600S+ order codes

## Standard Product Codes

ECO600S+27-MW-UNI	ECO600S+ 2700K Softlight 5.8cW 53° Matt White, Universal Mains dim/Non-dim driver
ECO600S+30-MW-UNI	ECO600S+ 3000K Softlight 5.8cW 53° Matt White, Universal Mains dim/Non-dim driver
ECO600S+40-MW-UNI	ECO600S+ 4000K Softlight 5.8cW 53° Matt White, Universal Mains dim/Non-dim driver
ECO600S+27-MW-AD	ECO600S+ 2700K Softlight 5.8cW 53° Matt White, 1-10V dim driver
ECO600S+30-MW-AD	ECO600S+ 3000K Softlight 5.8cW 53° Matt White, 1-10V dim driver
ECO600S+40-MW-AD	ECO600S+ 4000K Softlight 5.8cW 53° Matt White, 1-10V dim driver
ECO600S+27-MW-DL	ECO600S+ 2700K Softlight 5.8cW 53° Matt White, DALI dim driver
ECO600S+30-MW-DL	ECO600S+ 3000K Softlight 5.8cW 53° Matt White, DALI dim driver
ECO600S+40-MW-DL	ECO600S+ 4000K Softlight 5.8cW 53° Matt White, DALI dim driver

## Emergency Options

3hr Non-Self-Test EM Pack	Add "-E" at the end of the code
---------------------------	---------------------------------

## 3-1 UEP DVR (Ultra Efficiency Pack, 3 downlights connected to 1 LED driver via supplied loom)

ECO600S+27-MW-UEP	ECO600S+ 2700K Softlight 4.9cW 53° Matt White, Non-dim driver/Ultra Efficiency Pack
ECO600S+30-MW-UEP	ECO600S+ 3000K Softlight 4.9cW 53° Matt White, Non-dim driver/Ultra Efficiency Pack
ECO600S+40-MW-UEP	ECO600S+ 4000K Softlight 4.9cW 53° Matt White, Non-dim driver/Ultra Efficiency Pack
ECO600S+27-MW-UEP-AD	ECO600S+ 2700K Softlight 4.9cW 53° Matt White, 1-10V dim driver/Ultra Efficiency Pack
ECO600S+30-MW-UEP-AD	ECO600S+ 3000K Softlight 4.9cW 53° Matt White, 1-10V dim driver/Ultra Efficiency Pack
ECO600S+40-MW-UEP-AD	ECO600S+ 4000K Softlight 4.9cW 53° Matt White, 1-10V dim driver/Ultra Efficiency Pack
ECO600S+27-MW-UEP-DL	ECO600S+ 2700K Softlight 4.9cW 53° Matt White, DALI dim driver/Ultra Efficiency Pack
ECO600S+30-MW-UEP-DL	ECO600S+ 3000K Softlight 4.9cW 53° Matt White, DALI dim driver/Ultra Efficiency Pack
ECO600S+40-MW-UEP-DL	ECO600S+ 4000K Softlight 4.9cW 53° Matt White, DALI dim driver/Ultra Efficiency Pack

## Emergency Options

3hr Non-Self-Test EM Pack	Not available
---------------------------	---------------

## Accessories

ECO600+IS	EcoStar 600/A+ Thermal Insulation Spacer
-----------	--



tel: 0845 519 7717

fax: 02381 230 382

web: [www.ecostarled.co.uk](http://www.ecostarled.co.uk)

email: [ecostar@photonstarlighting.co.uk](mailto:ecostar@photonstarlighting.co.uk)

find your stockist online: [www.findlights.co.uk](http://www.findlights.co.uk)  
find your approved installer: [www.installecostar.co.uk](http://www.installecostar.co.uk)