



by  
**PhotonStar**<sup>TM</sup>

Award Winning British LED Lighting

t: +44 (0) 845 519 7717 www.ecostarled.co.uk

Designed  
& Produced  
in the UK



V2018.01.09

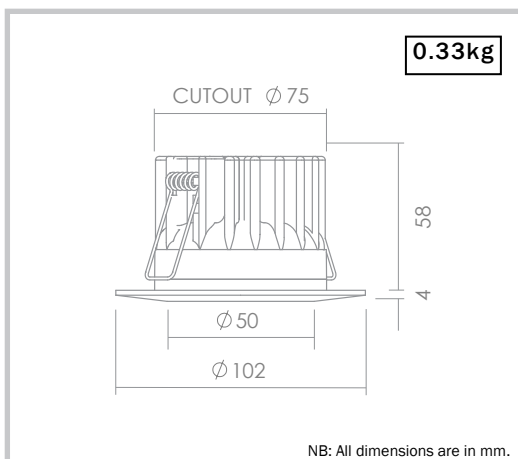
# EcoStar 900+

Ultra efficient downlight for 50W LV / 18W CFL replacement



Up To  
**110**  
lm/cW

	Ultra Warm White <b>2700K Ra80+</b>	Warm White <b>3000K Ra80+</b>	Neutral White <b>4000K Ra80+</b>
Colour temperature/rendering	<b>2700K Ra80+</b>	<b>3000K Ra80+</b>	<b>4000K Ra80+</b>
Illuminance comparable to	<b>50W LV halogen/18W TC-D</b>	<b>50W LV halogen/18W TC-D</b>	<b>50W LV halogen/18W TC-D</b>
Light engine power	<b>6.1W</b>	<b>6.1W</b>	<b>6.1W</b>
LED lumens (L <sub>100</sub> )	<b>858 lm</b>	<b>883 lm</b>	<b>958 lm</b>
Delivered lumens (L <sub>100</sub> )	<b>773 lm</b>	<b>795 lm</b>	<b>863 lm</b>
System power (including driver)	<b>7.8W</b>	<b>7.8W</b>	<b>7.8W</b>
Efficacy (lumens/circuit Watt)*	<b>99 lm/cW</b>	<b>102 lm/cW</b>	<b>110 lm/cW</b>
Approximate lifetime (L <sub>70</sub> F <sub>10</sub> ) / SDCM	<b>40,000 hrs</b>	<b>40,000 hrs</b>	<b>40,000 hrs</b>
Initial / Maintained SDCM	<b>&lt;3 / &lt;3</b>	<b>&lt;3 / &lt;3</b>	<b>&lt;3 / &lt;3</b>
Driver Options Available	<b>Yes, Mains Dim, DALI, 1-10V</b>	<b>Yes, Mains Dim, DALI, 1-10V</b>	<b>Yes, Mains Dim, DALI, 1-10V</b>
Emergency Option Available	<b>Yes</b>	<b>Yes</b>	<b>Yes</b>
Building Regulations	<b>B<sup>+</sup>, C, E, L</b>	<b>B<sup>+</sup>, C, E, L</b>	<b>B<sup>+</sup>, C, E, L</b>



NB: EM denotes 3 Hour Non-Self-Test Emergency Pack with BLF of 40.00%  
NB: All Lumen, Power & Efficacy Figures are +/- 10% @25°C Ambient Temp.

\*Subject to choice of driver and dimming options. For ECA compliance you should seek qualified accounting advice prior to assuming that a project or product is eligible.

\*Mains dim/ Non-dim 1-1 driver only.

**Part L**  
1&2  
compliant

**5**  
year  
warranty

**ECA**  
compliant<sup>+</sup>



# EcoStar 900+ order codes

## Non-Dimmable

ECO900+27-MW	ECO900+ 2700K 7.8cW 70° Matt White, Non-dim driver
ECO900+30-MW	ECO900+ 3000K 7.8cW 70° Matt White, Non-dim driver
ECO900+40-MW	ECO900+ 4000K 7.8cW 70° Matt White, Non-dim driver
ECO900+27-MW-E	ECO900+ 2700K 7.8cW 70° Matt White, Non-dim driver EM
ECO900+30-MW-E	ECO900+ 3000K 7.8cW 70° Matt White, Non-dim driver EM
ECO900+40-MW-E	ECO900+ 4000K 7.8cW 70° Matt White, Non-dim driver EM

## Mains Dimmable

ECO900+27-MW-MD	ECO900+ 2700K 7.8cW 70° Matt White, Mains dim driver
ECO900+30-MW-MD	ECO900+ 3000K 7.8cW 70° Matt White, Mains dim driver
ECO900+40-MW-MD	ECO900+ 4000K 7.8cW 70° Matt White, Mains dim driver
ECO900+27-MW-MD-E	ECO900+ 2700K 7.8cW 70° Matt White, Mains dim driver EM
ECO900+30-MW-MD-E	ECO900+ 3000K 7.8cW 70° Matt White, Mains dim driver EM
ECO900+40-MW-MD-E	ECO900+ 4000K 7.8cW 70° Matt White, Mains dim driver EM

## 1-10V Dimmable

ECO900+27-MW-AD	ECO900+ 2700K 7.8cW 70° Matt White, 1-10V dim driver
ECO900+30-MW-AD	ECO900+ 3000K 7.8cW 70° Matt White, 1-10V dim driver
ECO900+40-MW-AD	ECO900+ 4000K 7.8cW 70° Matt White, 1-10V dim driver
ECO900+27-MW-AD-E	ECO900+ 2700K 7.8cW 70° Matt White, 1-10V dim driver EM
ECO900+30-MW-AD-E	ECO900+ 3000K 7.8cW 70° Matt White, 1-10V dim driver EM
ECO900+40-MW-AD-E	ECO900+ 4000K 7.8cW 70° Matt White, 1-10V dim driver EM

## DALI Dimmable

ECO900+27-MW-DL	ECO900+ 2700K 7.8cW 70° Matt White, DALI dim driver
ECO900+30-MW-DL	ECO900+ 3000K 7.8cW 70° Matt White, DALI dim driver
ECO900+40-MW-DL	ECO900+ 4000K 7.8cW 70° Matt White, DALI dim driver
ECO900+27-MW-DL-E	ECO900+ 2700K 7.8cW 70° Matt White, DALI dim driver EM
ECO900+30-MW-DL-E	ECO900+ 3000K 7.8cW 70° Matt White, DALI dim driver EM
ECO900+40-MW-DL-E	ECO900+ 4000K 7.8cW 70° Matt White, DALI dim driver EM

## Bezel Options

Brushed Nickel	replace "-MW" with "-BN"
Polished Chrome	replace "-MW" with "-PC"

## Accessories

ECO900+HA1-MW	EcoStar 900+ Hole Adapter for 90mm-105mm holes (one part adapter)
ECO900+HA2-MW	EcoStar 900+ Hole Adapter for 105mm-170mm holes (two part adapter)
ECO900+IS	EcoStar 900/A+ Thermal Insulation Spacer



tel: 0845 519 7717  
fax: 02381 230 382  
web: [www.ecostarled.co.uk](http://www.ecostarled.co.uk)  
email: [ecostar@photonstarlighting.co.uk](mailto:ecostar@photonstarlighting.co.uk)

find your stockist online: [www.findlights.co.uk](http://www.findlights.co.uk)  
find your approved installer: [www.installecostar.co.uk](http://www.installecostar.co.uk)