



by
PhotonStar™

Award Winning British LED Lighting

t: +44 (0) 845 519 7717 www.ecostarled.co.uk

Designed
& Produced
in the UK



V2018.01.09

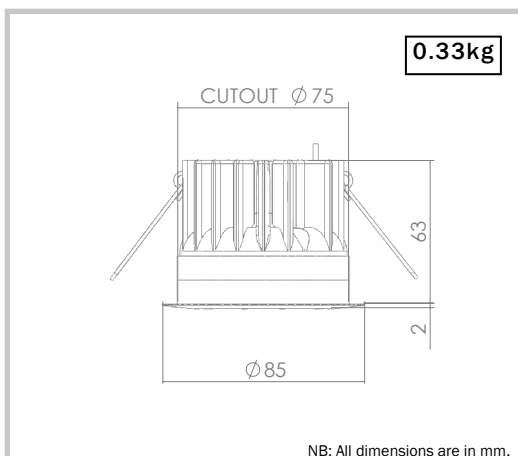
EcoStar 900T+

Thin Trim Slim, ultra efficient downlight for 50W LV / 18W CFL replacement



Up To
114
lm/cW

	Ultra Warm White 2700K Ra80+	Warm White 3000K Ra80+	Neutral White 4000K Ra80+
Colour temperature/rendering	2700K Ra80+	3000K Ra80+	4000K Ra80+
Illuminance comparable to	50W LV halogen/18W TC-D	50W LV halogen/18W TC-D	50W LV halogen/18W TC-D
Light engine power	6.1W	6.1W	6.1W
LED lumens (L ₁₀₀)	858 lm	883 lm	958 lm
Delivered lumens (L ₁₀₀)	801 lm	824 lm	894 lm
System power (including driver)	7.8W	7.8W	7.8W
Efficacy (lumens/circuit Watt)*	102 lm/cW	105 lm/cW	114 lm/cW
Approximate lifetime (L ₇₀ F ₁₀) / SDCM	40,000 hrs	40,000 hrs	40,000 hrs
Initial / Maintained SDCM	<3 / <3	<3 / <3	<3 / <3
Driver Options Available	Yes, Mains Dim, DALI, 1-10V	Yes, Mains Dim, DALI, 1-10V	Yes, Mains Dim, DALI, 1-10V
Emergency Option Available	Yes	Yes	Yes
Building Regulations	B⁺, C, E, L	B⁺, C, E, L	B⁺, C, E, L



NB: EM denotes 3 Hour Non-Self-Test Emergency Pack with BLF of 40.00%
NB: All Lumen, Power & Efficacy Figures are +/- 10% @25°C Ambient Temp.

*Subject to choice of driver and dimming options. For ECA compliance you should seek qualified accounting advice prior to assuming that a project or product is eligible.

*Mains dim/ Non-dim 1-1 driver only.

Part L
1&2
compliant

5
year
warranty

ECA
compliant⁺



EcoStar 900T+ order codes

Non-Dimmable

ECO900T+27-MW	ECO900T+ 2700K Thin Trim 7.8cW 70° Matt White, Non-dim driver
ECO900T+30-MW	ECO900T+ 3000K Thin Trim 7.8cW 70° Matt White, Non-dim driver
ECO900T+40-MW	ECO900T+ 4000K Thin Trim 7.8cW 70° Matt White, Non-dim driver
ECO900T+27-MW-E	ECO900T+ 2700K Thin Trim 7.8cW 70° Matt White, Non-dim driver EM
ECO900T+30-MW-E	ECO900T+ 3000K Thin Trim 7.8cW 70° Matt White, Non-dim driver EM
ECO900T+40-MW-E	ECO900T+ 4000K Thin Trim 7.8cW 70° Matt White, Non-dim driver EM

Mains Dimmable

ECO900T+27-MW-MD	ECO900T+ 2700K Thin Trim 7.8cW 70° Matt White, Mains dim driver
ECO900T+30-MW-MD	ECO900T+ 3000K Thin Trim 7.8cW 70° Matt White, Mains dim driver
ECO900T+40-MW-MD	ECO900T+ 4000K Thin Trim 7.8cW 70° Matt White, Mains dim driver
ECO900T+27-MW-MD-E	ECO900T+ 2700K Thin Trim 7.8cW 70° Matt White, Mains dim driver EM
ECO900T+30-MW-MD-E	ECO900T+ 3000K Thin Trim 7.8cW 70° Matt White, Mains dim driver EM
ECO900T+40-MW-MD-E	ECO900T+ 4000K Thin Trim 7.8cW 70° Matt White, Mains dim driver EM

1-10V Dimmable

ECO900T+27-MW-AD	ECO900T+ 2700K Thin Trim 7.8cW 70° Matt White, 1-10V dim driver
ECO900T+30-MW-AD	ECO900T+ 3000K Thin Trim 7.8cW 70° Matt White, 1-10V dim driver
ECO900T+40-MW-AD	ECO900T+ 4000K Thin Trim 7.8cW 70° Matt White, 1-10V dim driver
ECO900T+27-MW-AD-E	ECO900T+ 2700K Thin Trim 7.8cW 70° Matt White, 1-10V dim driver EM
ECO900T+30-MW-AD-E	ECO900T+ 3000K Thin Trim 7.8cW 70° Matt White, 1-10V dim driver EM
ECO900T+40-MW-AD-E	ECO900T+ 4000K Thin Trim 7.8cW 70° Matt White, 1-10V dim driver EM

DALI Dimmable

ECO900T+27-MW-DL	ECO900T+ 2700K Thin Trim 7.8cW 70° Matt White, DALI dim driver
ECO900T+30-MW-DL	ECO900T+ 3000K Thin Trim 7.8cW 70° Matt White, DALI dim driver
ECO900T+40-MW-DL	ECO900T+ 4000K Thin Trim 7.8cW 70° Matt White, DALI dim driver
ECO900T+27-MW-DL-E	ECO900T+ 2700K Thin Trim 7.8cW 70° Matt White, DALI dim driver EM
ECO900T+30-MW-DL-E	ECO900T+ 3000K Thin Trim 7.8cW 70° Matt White, DALI dim driver EM
ECO900T+40-MW-DL-E	ECO900T+ 4000K Thin Trim 7.8cW 70° Matt White, DALI dim driver EM

Bezel Options

Brushed Nickel	Not available
Polished Chrome	Not available

Accessories

ECO900+HA1-MW	EcoStar 900+ Hole Adapter for 90mm-105mm holes (one part adapter)
ECO900+HA2-MW	EcoStar 900+ Hole Adapter for 105mm-170mm holes (two part adapter)
ECO900+IS	EcoStar 900/A+ Thermal Insulation Spacer



tel: 0845 519 7717
fax: 02381 230 382
web: www.ecostarled.co.uk
email: ecostar@photonstarlighting.co.uk

find your stockist online: www.findlights.co.uk
find your approved installer: www.installecostar.co.uk